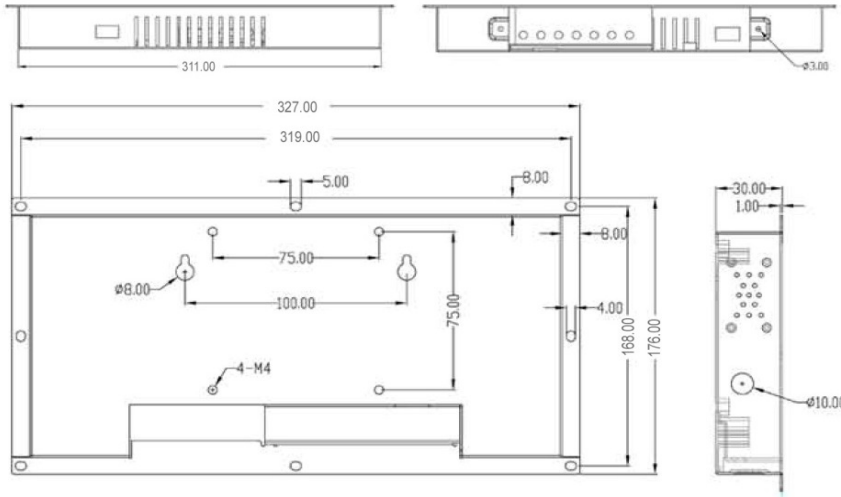


10.2" Ad Player

Model Number: FV2000-10CH

Chassis or Open Frame

Mechanical Drawing



Specifications

Display size	10.2"
Display area	220.0(H)x132.48(V)mm
Screen Resolution	800x480
Brightness	250 cd/m2
Ratio	16:9
Contrast Reatio	300:1
Viewing angel	65/65/55/65
Response time	40ms
colors	16.7M
Media Support	JPEG, MPG1-4, DIVX, AVI
Max resolution image	720x480
Max resolution video	720x480
Input voltage	5v
Power supply(volts)	AC100-240V
Audio	2w, 8Ω
Working Temp	-30°C~85°C

- Available with up to 7 buttons
- Optional motion sensor
- Optional touch segments, up to 8
- Built-in media player
- Accepts SD flash memory cards
- USB port available
- Auto start
- Play content circularly and automatically
- Supports slide show
- Programmable timer
- Built-in two speakers stereo
- Multi-language OSD: English/Chinese/ other
- Security door protects media and power
- Strong shock-proof capability
- Mounting functions,VESA holes
- 1 Year Warranty

APPROVALS & CERTIFICATES

This product has been tested and approved by:

